



SES2-600-ECO

Electronic sirens are increasingly used for mass warning systems due to their advantages of low energy consumption and low maintenance effort. Their modular construction offers individual structure and power stages possibilities.

The SES2-ECO-series was developed for price sensitive customers who want to use a first-class siren without abandoning most of the advantages. Therefore, voice announcements and other options are possible.

ADVANTAGES & FUNCTIONS

- low cost alternative to motor siren
- soundless amplifier and loudspeaker test with 20 kHz test signal
- temperature/overload protection for amplifier
- monitoring of battery voltage and shutdown in case of under voltage to prevent a deep discharge
- mains independent operation in case of a power blackout up to 28 days

TECHNICAL DATA

IN GENERAL

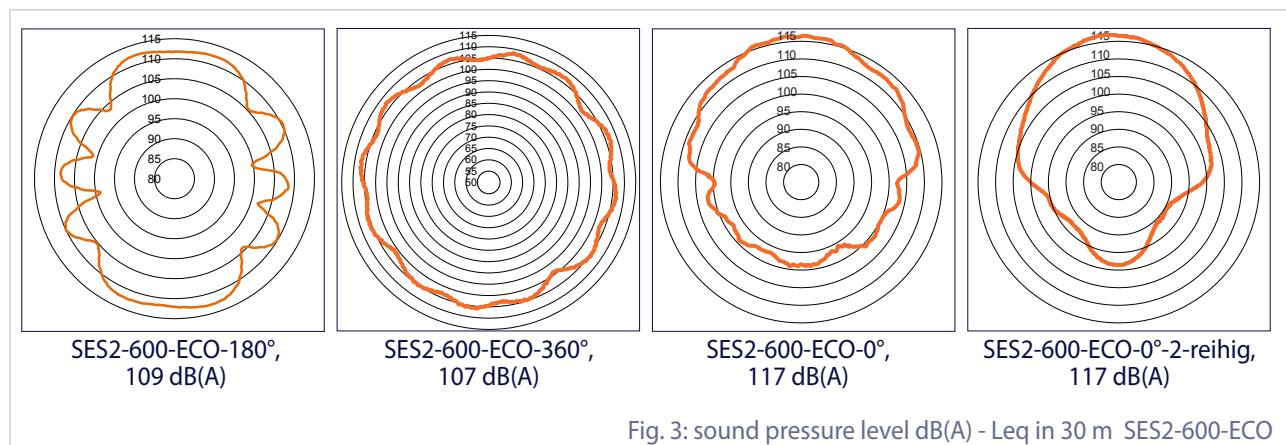
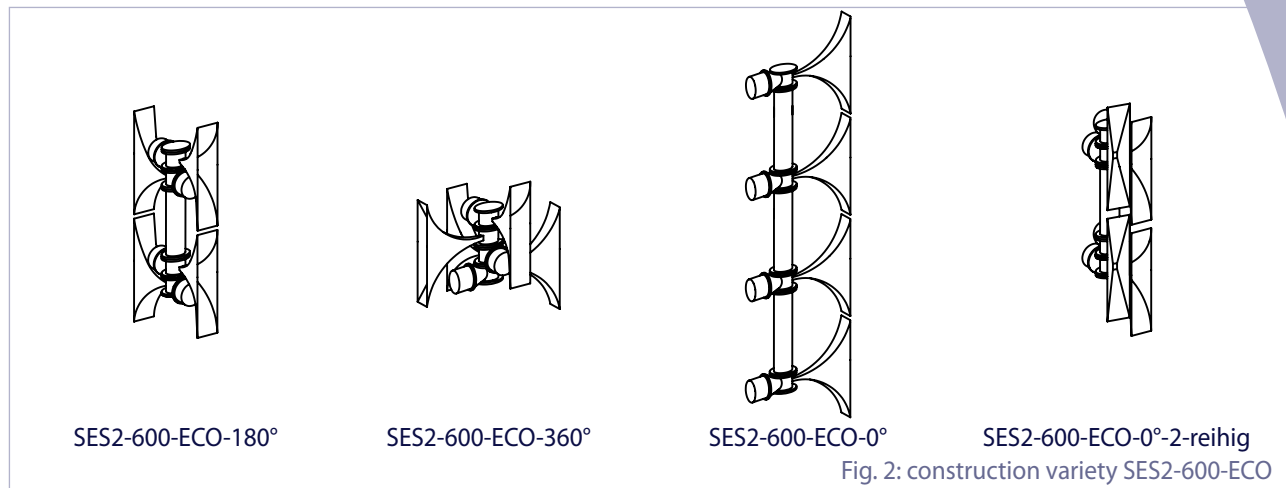
sound pressure level in dB(A) in 30 m distance	107 - 117dB(A)
basic frequency	415 Hz
number of acoustic radiators	4

ACOUSTIC RADIATORS

acoustic radiators made of	material ALSi7Mg0.35F - see water resistant aluminium alloy
loudspeaker drivers	4 à 150 Watt (finishing in Germany - specially adapted for the demanding requirements of the electronic siren production)
sound radiation	optional omni-directional (180° or 360°) or directed (0° or 0°-2-line)
intermediate flanges	0 at 360°, 1 at 180° and 0°-2-line, 3 at 0°
antenna flange	optional
screw set	V2A
temperature range	-50° C to +70° C
overall weight	34.42 - 59.62 kg
dimensions (w x h x d)	180°: 830 x 1386 x 160 mm 360°: 830 x 940 x 830 mm 0°: 630 x 2530 x 160 mm 0°-2-reihig: 630 x 1386 x 280 mm



Fig.1: Sample of a SES-ECO siren



CONTROL UNIT

number of amplifiers	1
power output RMS	600 W RMS
mains voltage	230 V _{AC}
power input in stand-by mode	with charged batteries: 2 VA, maximal: 70 VA
number of different signals	up to 25
number of potential free inputs	2 + clock input (optional 5 additional possible)
power supply output	1 fused output 24 V _{DC} for telecontrol receiver or external devices, 1 fused output 12 V _{DC} , max. 500 mA, for telecontrol receiver or external devices
test buttons	1 for 20 kHz soundless test, 1 system reset
status identification via service interface	all status identifications can be displayed at a service interface via a service programme
optic signalling of status and data	
standard indication of the amplifier:	operation, loudspeaker circuit 1-OK, loudspeaker circuit 2-OK, excess temperature, short circuits, output open
standard indication of power supply:	data traffic RS485 OK, low bat, battery shutdown, device in programming status
status signal	optional 2 potential free outputs for sumfault and alert active, max. 24 V / 100 mA
battery construction	maintenance free AGM technology
battery consumption in stand-by in case of mains failure (with radio device as option)	60 mA (200 mA)
battery voltage / capacity (C20)	2 x 12 V / 40 Ah
battery charging	max. 2 A (according to IU characteristics)
battery capacity	18 days with 20 alerts à 1 min at 20° C
temperature range electronics / batteries	-40° C to +70° C / -25° C to +60° C
humidity	0 % - 100 %
type of protection	IP 66 (depending on forced ventilation and cable inlet)
cabinet dimension (w x h x d)	600 x 600 x 210 mm
weight / colour	59.5 kg / RAL 7035